



ECONCEPT KOMBI 35

LISTA PEZZI DI RICAMBIO

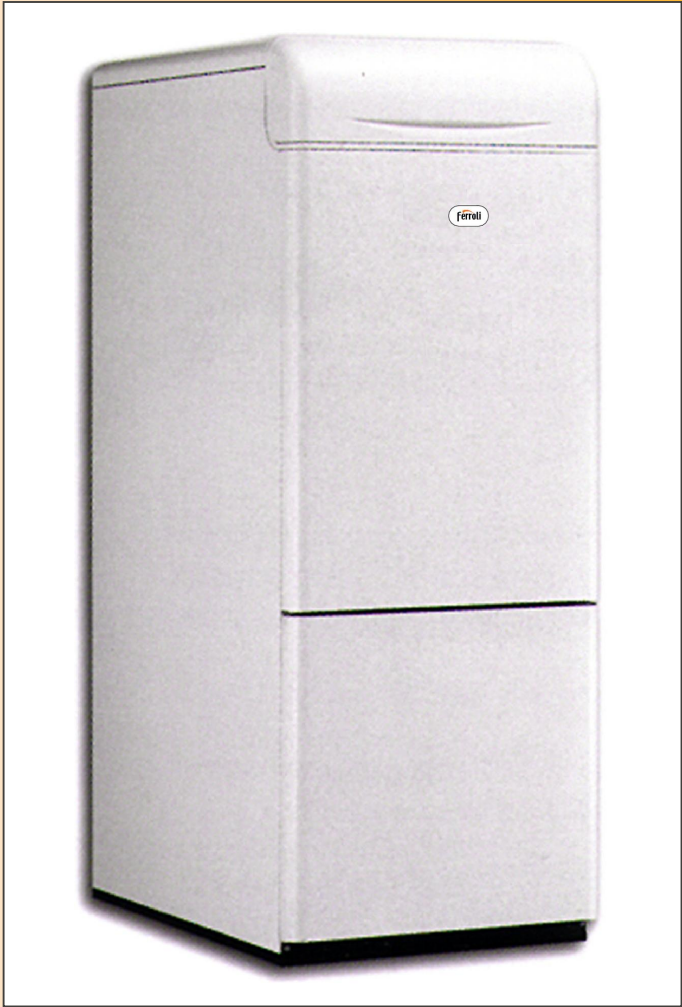
SPARE PART LIST

ERSATZSTEILE

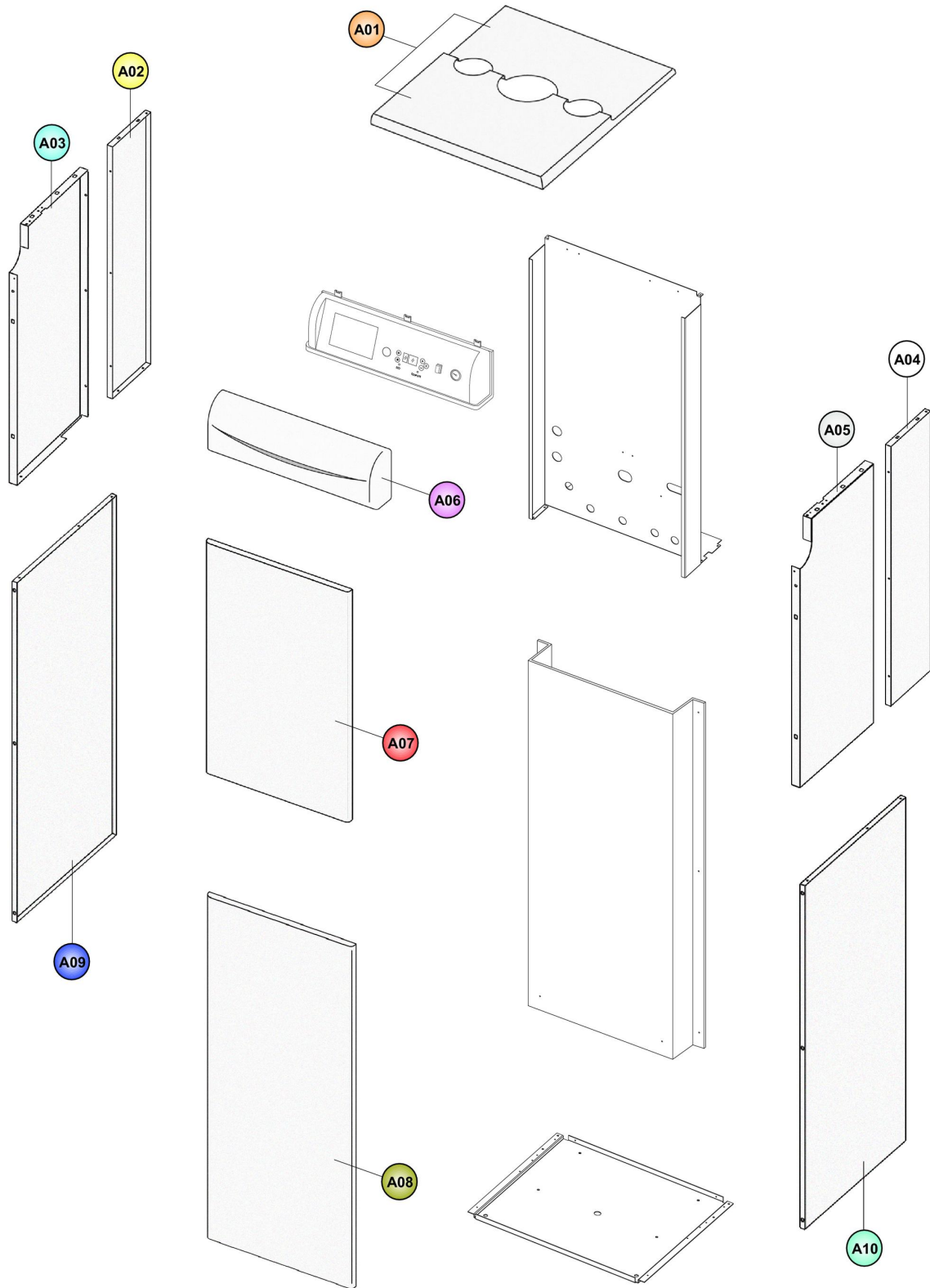
LIJST ONDERDELEN

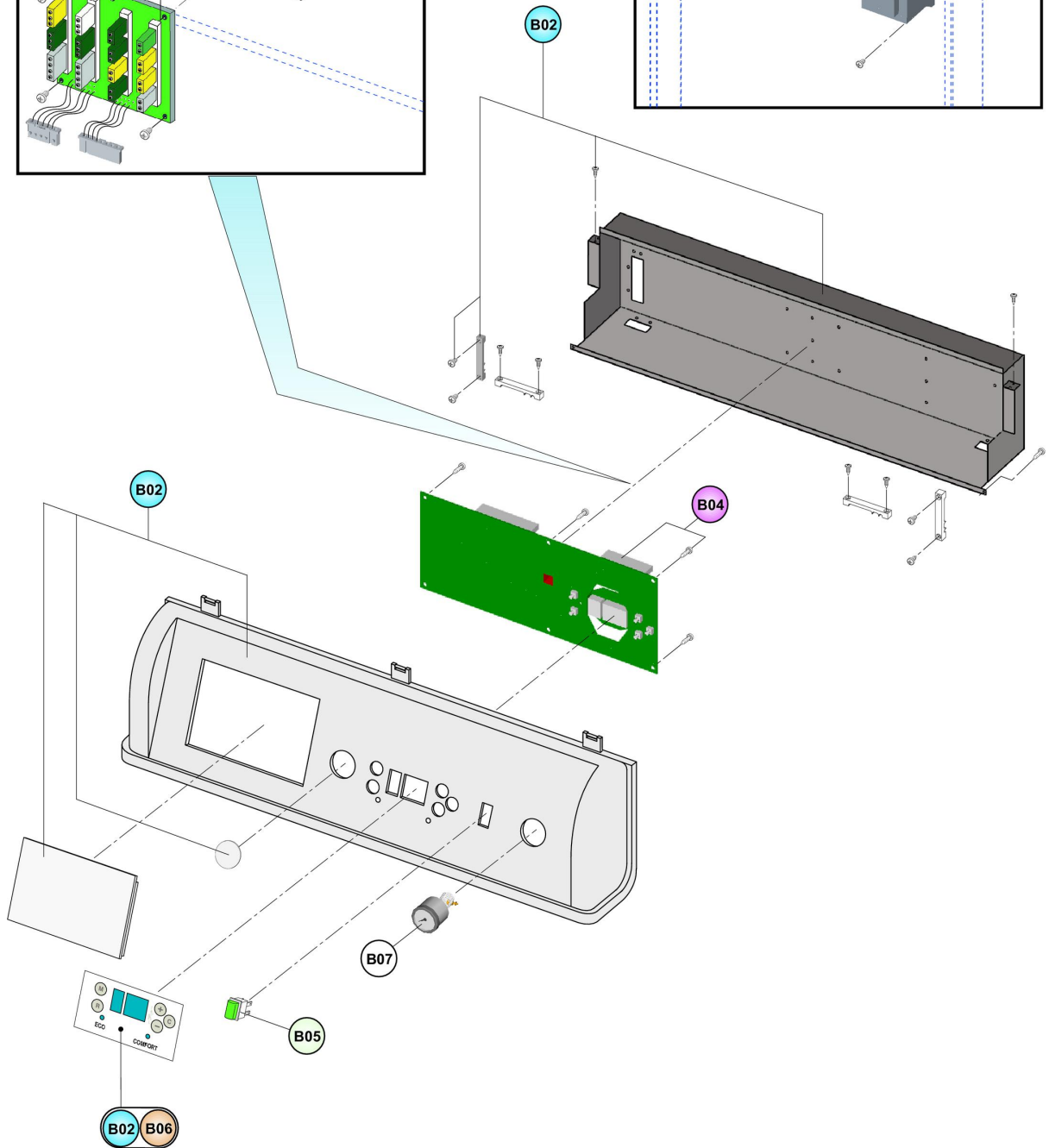
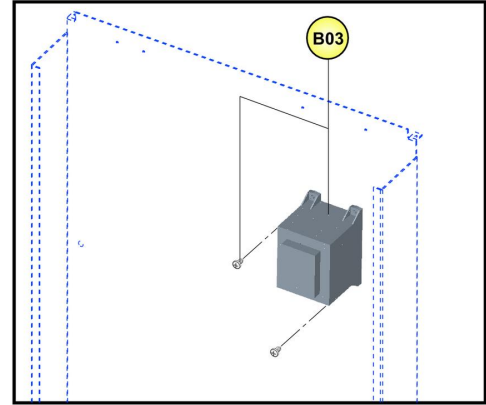
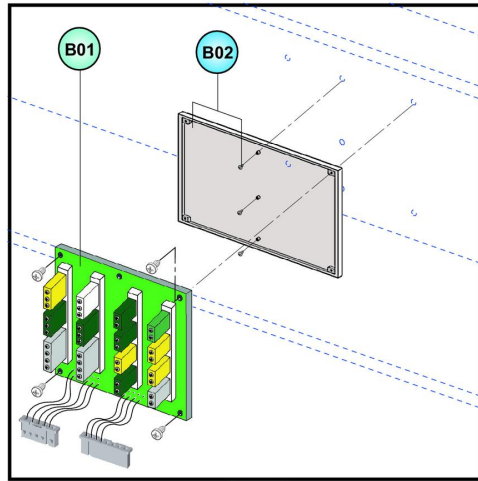
LISTE PIECES DETACHES

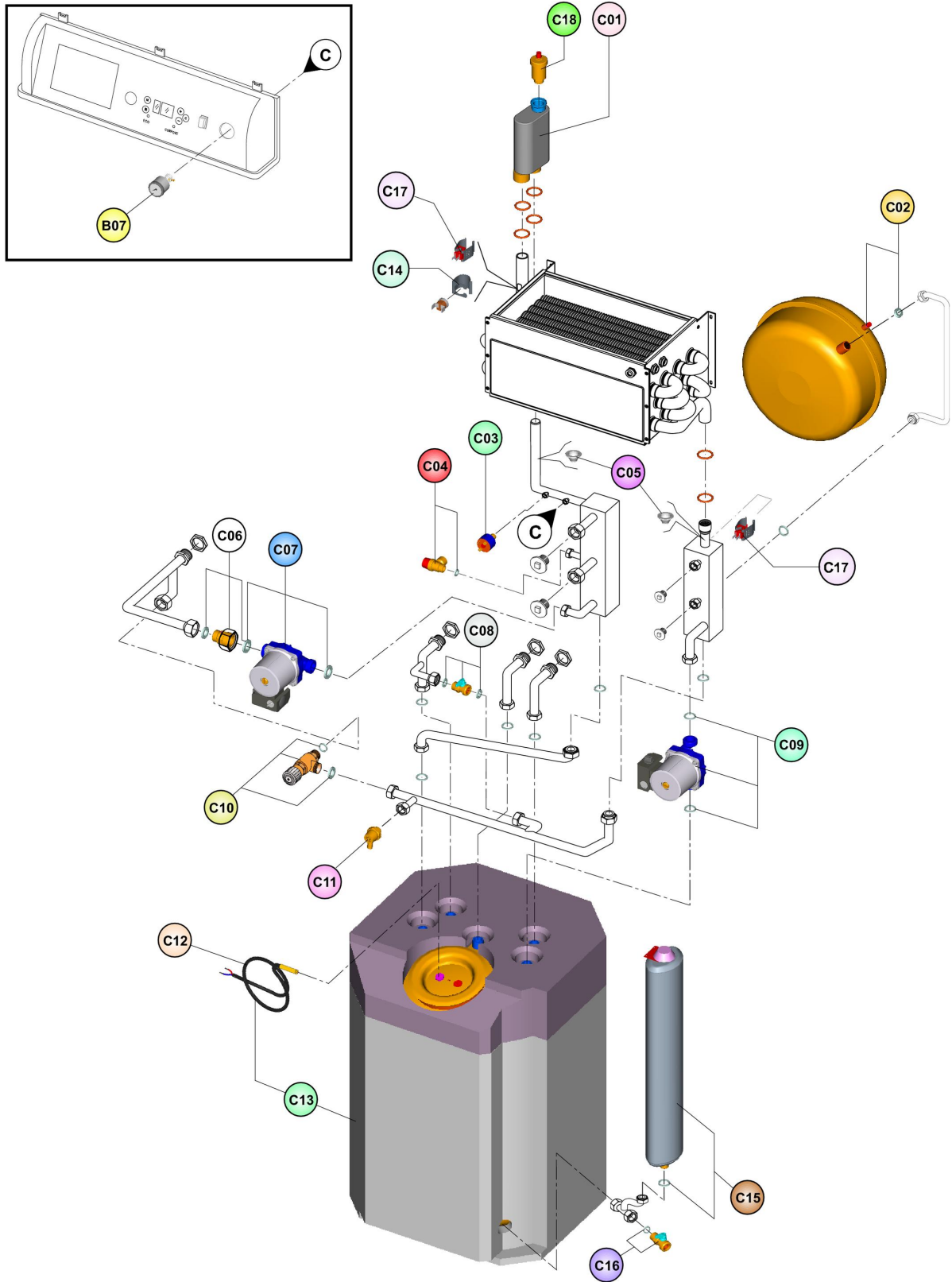
LISTA PIEZAS DE REPUESTO

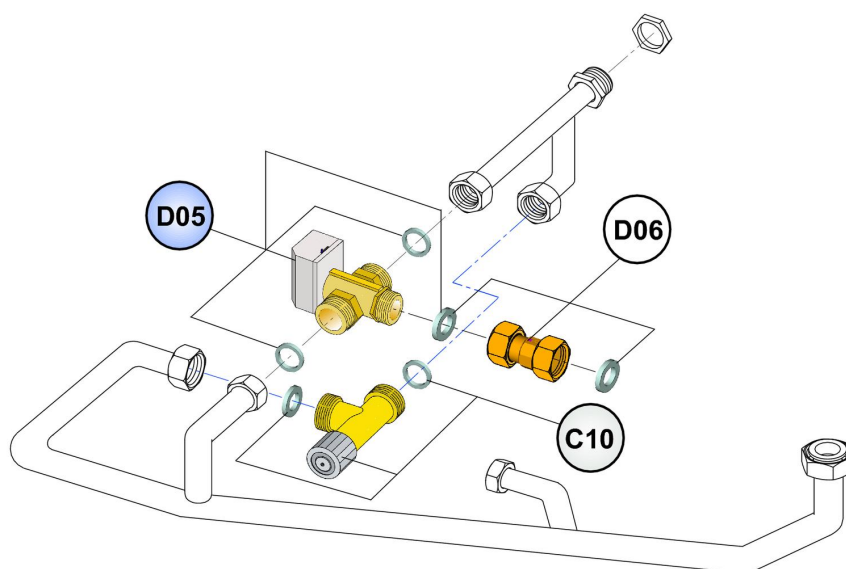
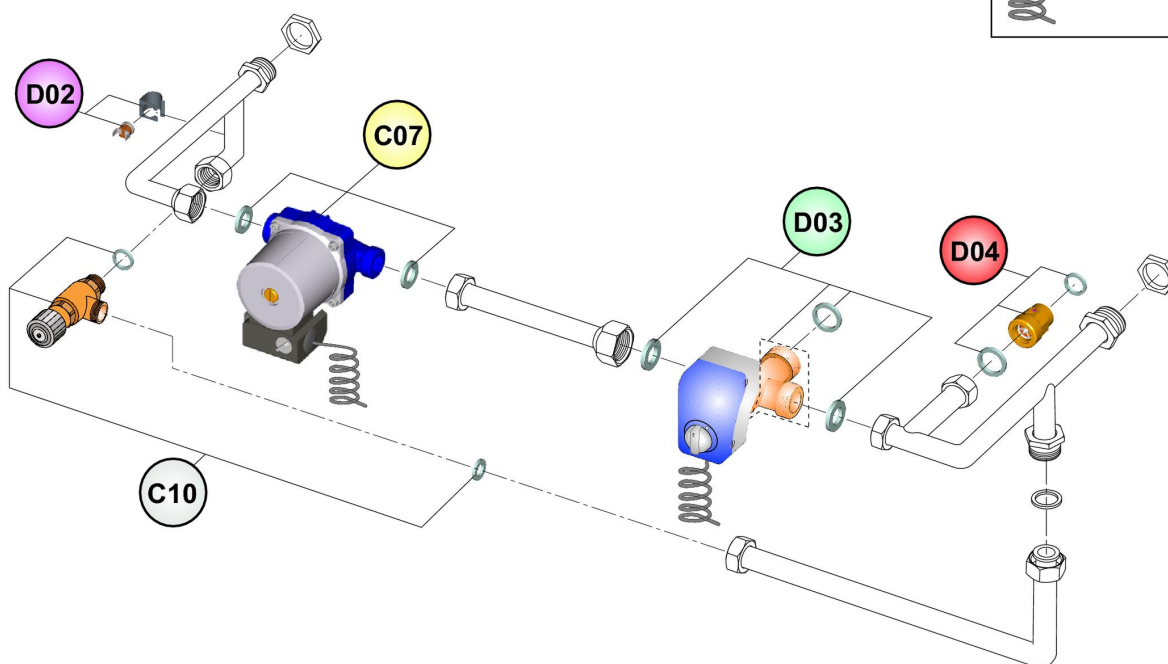
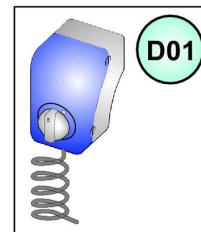


CODICE	EDIZIONE	MERCATO
30K0187000	29/09/2004	IT









LISTA PEZZI

POS.	CODICE	DESC.	QT.
A01	39811090	KIT COPER. (37042700-37042710)	1
A02	39811350	KIT FIANCO SUP.P.SX. (37042490)	1
A03	39811100	KIT FIANCO SUP.A.SX. (37042510)	1
A04	39811110	KIT FIANCO SUP.P.DX. (37042480)	1
A05	39811120	KIT FIANCO SUP.A.DX. (37042500)	1
A06	39811200	KIT COPERCHIO CRUSC. (35008070)	1
A07	39811150	KIT PANNELLO A.SUP. (37042520)	1
A08	39811160	KIT PANNELLO A.INF. (37042530)	1
A09	39811140	KIT FIANCO INF.SX. (37042470)	1
A10	39811130	KIT FIANCO INF.DX. (37042460)	1
B01	39811220	KIT INTERFAC.THETA (39404360)	1
B02	39811190	KIT CRUSCOTTO Lg600 (35010940)	1
B03	39809420	KIT TRASFORM. (36702760)	1
B04	39807003	KIT SCHEDA DMF04C (38319123)	1
B05	39811480	KIT 5 PULSANTI (36100460)	1
B06	39819450	KIT 5 MASCHERINE (35009071)	1
B07	39811240	KIT IDROM.0-4bar (36400280)	1
C01	39814300	KIT SEPARATORE ARIA (38419270)	1
C02	39810650	KIT VASO ESP.12Lt. (36800170)	1
C03	39806180	KIT PRESSOSTATO H2O (36401930)	1
C04	39800130	KIT VALV.SIC.MF1/2" (36900660)	1
C05	39809540	KIT 2 GUARNIZ.CON. (35100000)	1
C06	39811270	KIT VALV.RIT.3/4" (36901970)	1
C07	39806510	KIT POMPA (36601311)	1
C08	39808980	KIT RUBINETTO 3/8" (36901470)	1
C09	39810450	KIT POMPA (36601631)	1
C10	39811230	KIT VALV.BY-PASS (36902020)	1
C11	39810320	KIT RUBIN. SCARICO (36901630)	1
C12	39812950	KIT SONDA TEMP. (38320020)	1
C13	39811280	KIT BOILER 130Lt. (37704750)	1
C14	39805650	KIT TST.C.ARG.100°C (36400900)	1
C15	39811260	KIT VASO ESP.4Lt. (36800370)	1
C16	39809010	KIT RUBIN.1/2" (36900700)	1
C16	39809010	KIT RUBINETTO 1/2" (36900700)	1
C17	39806670	KIT SONDA TEMP. (36200490)	1
C18	39814290	KIT V/ARIA 1/2 (36900240)	1
D01	39812970	KIT MOTORE VALV.3V. (36902040)	1
D02	39811310	KIT TST.C.ORO 60°C (36401480)	1
D03	39811290	KIT VALV.3V.1"1/4 (36902030)	1
D04	39810330	KIT VALV.N/R 1"-3/4" (36900350)	1
D05	39810940	KIT VALV.3V.3/4"M. (36900451)	1
D06	39811300	KIT V/RIT.3/4" (36902090)	1
E01	39809520	KIT PACCO LAM. COMPL. *ULTIMA	1
E02	39811320	KIT VALV. GAS VK4115 (36802630)	1
E03	39808600	KIT CENTRALINA (36507050)	1
E04	39811340	KIT SIFONE COMPL. (35102170)	1
E05	39810640	KIT ACCENDIT. NORTON (36702500)	1
E06	39806200	KIT ELETTRODO RIVEL. (36702634)	1
E07	39810340	KIT SONDA FUMI (36200740)	1
E08	39810670	KIT BRUC.CER.COMPL. (37608320)	1
E09	39811580	KIT UG.ARIA D.22,5 (32203550)	1
E10	39811600	KIT UG.GAS gpl D4,40 (32203570)	1
E11	39811730	KIT UG.GAS m. D6,10 (32203531)	1
E12	39809450	KIT VENTIL. (36601620)	1
E13	39806570	KIT PORTA VASCA (32913090)	1
E14	39811330	KIT SPIA SILICONE (35102230)	1
E15	39807860	KIT GUARNIZ.SIFONE (35101700)	1

<p><u>DESCRIZIONE MODIFICHE:</u></p> <hr/> <hr/> <hr/> <hr/>	<p><u>NOTE TECNICHE:</u></p>	<p>Firma</p> <p>DI CARLO Cristian</p>
---	-------------------------------------	---------------------------------------